

# QUALITY LIFTS™

RAISING THE LEVEL OF PERFORMANCE

**NEW  
&  
IMPROVED  
Q10**

## The Q10: 10,000lb Capacity Certified 2-Post Lift



**Asymmetric Application**

**model#: Q10**  
Asymmetric/Symmetric Lift  
10,000 lb. lifting capacity

**Asymmetric/Symmetric Lifting**

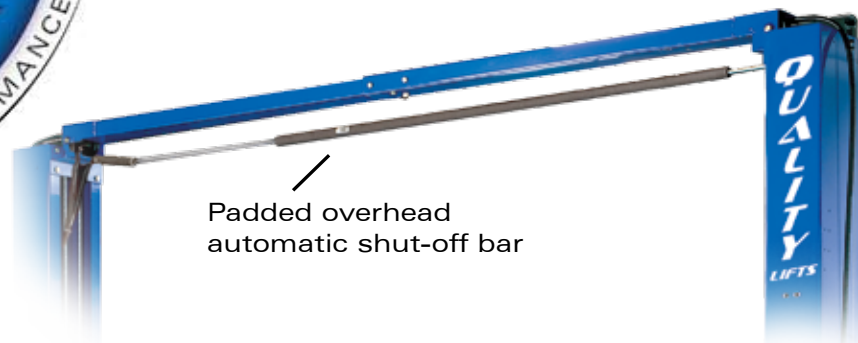


**Symmetric Application**

**model#: Q10**  
Asymmetric/Symmetric Lift  
10,000 lb. lifting capacity



Look for the sign of **QUALITY**  
TOLL FREE: 877-475-4387  
[www.portagelift.com](http://www.portagelift.com)



Padded overhead automatic shut-off bar

## New & Improved Q10

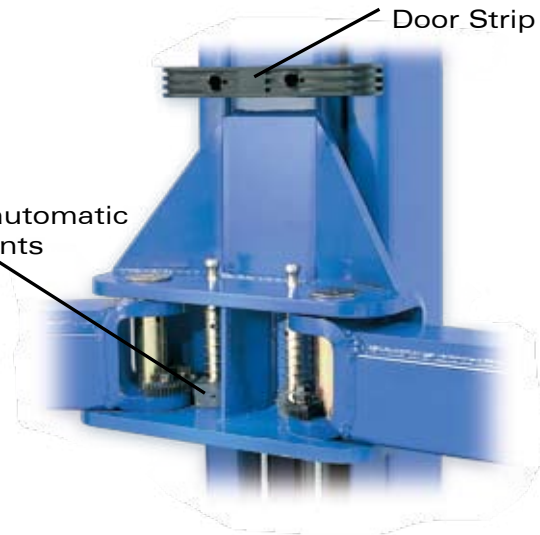
- Single piece overhead for ease of installation
- Padded overhead bar for improved vehicle protection
- Faster rise for improved productivity
- Thicker cables and steel pulleys for longer life
- Taller carriage for reduced slider wear
- 71" cylinder stroke for excellent rise
- Adjustable height

| SPECIFICATIONS           | Model: Q10  |
|--------------------------|---|
| Lifting Capacity         | 10,000 lb.<br>(4535kg)  |
| Rise Height*             | 78 <sup>3</sup> / <sub>4</sub> "<br>(2000mm)  |
| Adj. Height Overall      | 12' 3 <sup>1</sup> / <sub>2</sub> " or 11' 5 <sup>1</sup> / <sub>2</sub> "<br>(3747mm or 3493mm)            |
| Width Overall            | 131 <sup>3</sup> / <sub>4</sub> "<br>(3347mm)   |
| Drive-Thru Clearance     | 98 <sup>3</sup> / <sub>8</sub> "<br>(2499mm)  |
| Floor To Overhead Switch | 11' 8 <sup>1</sup> / <sub>2</sub> " or 10' 10 <sup>1</sup> / <sub>2</sub> "<br>(3568mm or 3314mm)           |
| Front Arm Reach          | Min. 21 <sup>3</sup> / <sub>4</sub> " / Max. 39 <sup>1</sup> / <sub>4</sub> "<br>(Min. 553mm / Max. 998mm)  |
| Rear Arm Reach           | Min. 38 <sup>1</sup> / <sub>4</sub> " / Max. 55 <sup>3</sup> / <sub>8</sub> "<br>(Min. 971mm / Max. 1407mm) |
| Screw Pad Height**       | Min. 4" / Max. 7 <sup>1</sup> / <sub>2</sub> "<br>(Min. 103mm / Max. 193mm)                                 |
| Inside Columns           | 9' 2 <sup>1</sup> / <sub>4</sub> "<br>(2800mm)  |
| Motor                    | 2HP   |
| Voltage Single Phase     | 208v-230v   |
| Ceiling Height Required  | 12' 5"<br>(3785mm)  |
| Max. Load Per Arm        | 2,500 lb.<br>(1134mm)   |

\* Rise height is measured with screw pads in highest position.

\*\* Specifications are listed without rubber pad, for measurements with rubber pad add 1/4" (6mm)

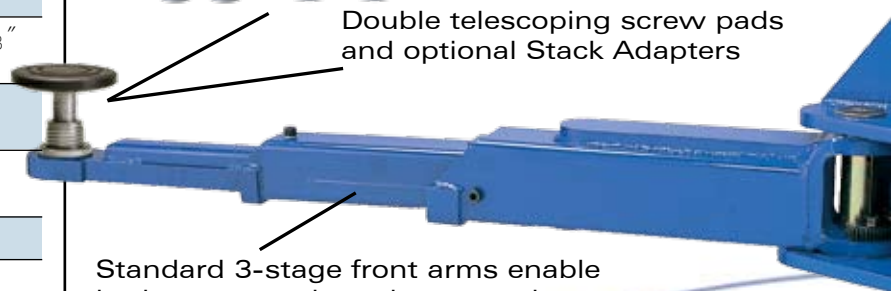
Rubber Protective Door Strip



Anodized automatic arm restraints



Double telescoping screw pads and optional Stack Adapters



Standard 3-stage front arms enable both asymmetric and symmetric lifting capabilities

DISTRIBUTED BY:



TOLL FREE: **877-475-4387**

4003 Bower Rd.  
Rootstown, Ohio 44272

**Portage Lift**  
**877-475-4387**  
**330-325-3309**