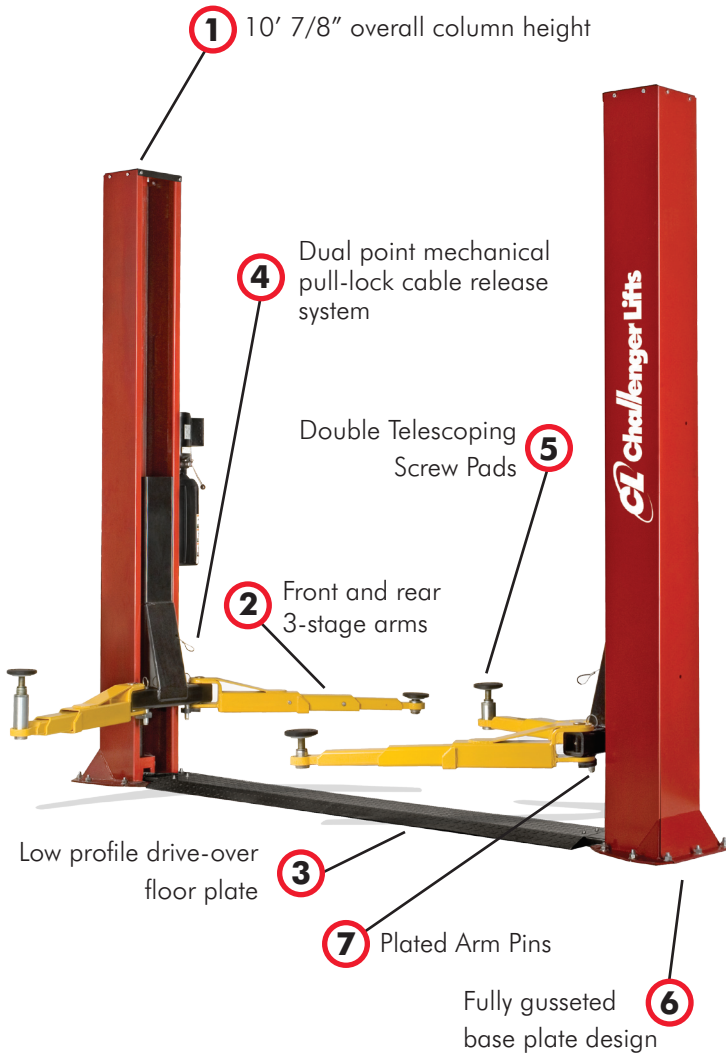


CLFP9

9,000 lb. capacity floor plate

2-post lift



- 1 Allows lift to be placed in service facilities with low ceilings
- 2 Provide excellent reach and retraction to lift a variety of vehicles
- 3 Makes vehicle positioning easy
- 4 Allows technician to disengage column locks on each side
- 5 Minimize the need for truck adapters by meeting a wider range of OEM recommended pick up points
- 6 Reduces column deflection
- 7 Inhibit rust and provide long-lasting durability

Excellent Arm Reach & Retraction

The CLFP9's front & rear 3-stage arms provide excellent arm reach and retraction to hit the designated lifting points of a variety of manufacturer's vehicles.



Heavy-Duty Chain Lifting

The CLFP9 features a Heavy-Duty chain lifting system with cable equalization.

